

# Fenix **CONVERTER**

## FENIEX CONVERTER *Q-0020*



**Specifications** ▲  
pp. 03

**Flash Patterns** ▲  
pp.03

**16-pin Wire Harness** ▲  
pp.04-05

**Input Record** ▲  
pp.06





# SAFETY REGULATIONS & WARRANTY

## Safety Regulations

The following provides all the information necessary to safely operate the previously listed products of Feniex Industries, Inc. Please read this manual thoroughly before installing or operating your new product in order to prevent any damage or injury. Failure to follow the listed instructions in this manual may result in damage to your products or personal injury.

- Proper installation of this product requires good knowledge of automotive systems, electronics and procedures.
- Please guarantee all vital components of the vehicle are not in danger of being damaged by drilling holes necessary for installation. Check all sides of the mounting surface before drilling any holes into the vehicle.
- Do not install this product in any way that interferes with the deployment of the air bag. Doing so may damage the effectiveness of the air bag and can lead to serious personal and vehicle injury. The installer will assume full responsibility of proper installation of the new unit.
- Please clean the mounting surface before installation of the unit when using tape, brackets, magnet, Velcro or suction cups.
- The product's ground wire must be connected directly to the Negative (-) battery post for effective use of the unit. Please follow all wiring guidelines provided to guarantee long lifespan and productivity. Failing to follow these instructions may result in damage to the product.

## Warranty

Feniex Industries, Inc. warrants to the original purchaser that all our products shall be free from defects in material and workmanship. Feniex Industries' speakers, sirens, rocker panels, AM600 Beacons, Torch Lights, AI lightbars, AI Cubes, AM900 Work Lights, 8.5" Dome Lights, Cargo Lights, flashlights, Remote Spot Lights, and controllers are warranted for 2 years from the manufacturing date. In addition, all other products are warranted for 5 years from the manufacturing date.

If a warranty problem occurs, please contact customer support at 1.800.615.8350 or visit the website at [www.feniex.com/support](http://www.feniex.com/support).

If the product needs to be returned for repair or replacement, call our customer support line to receive a return merchandise authorization number.

Operational times are from 9 a.m. to 6 p.m. central time, Monday through Friday. Please do not send in product without contacting support first for an RMA number.

## Service After Expiration

Feniex Industries will still provide service for all products after the expiration of the warranty. In some instances it may be necessary for the product to be shipped, freight prepaid, and insured for loss or damage to Feniex headquarters.

**Warning!** Utilizing non-factory screws and mounting brackets may result in loss of warranty coverage.

## Copyright

This instruction manual and the Feniex products described in this instruction manual may include or describe copyrighted Feniex material. Laws in the United States and other countries preserve for Feniex Industries and its licensors certain exclusive rights for copyrighted material, including the exclusive right to copy, reproduce in any form, distribute, and make derivative works of the copyrighted material. Accordingly, any copyrighted material of Feniex and its licensors contained herein or in the Feniex products described in this instruction manual may not be copied, reproduced, distributed, merged, or modified in any manner without the express written permission of Feniex Industries, Inc.

## Feniex Product Copyrights

The products described in this document are the property of Feniex Industries, Inc. It is furnished by express license agreement only and may be used only in accordance with the terms of such an agreement. Products and documentation are copyrighted materials. Making unauthorized copies is prohibited by law. No part of the product or documentation may be reproduced, transmitted, transcribed, stored in a retrieval system, or translated into any language or computer language, in any form or by any means, without prior permission from Feniex Industries, Inc.



## ▲ BOX CONTENTS

1x - Fenix Converter

2x - 1ft. 16-pin Wire Harnesses

## ▲ SPECIFICATIONS

**DIMENSIONS** 3.95" x 2.6" x .75"

**WARRANTY** 2 Years

**VOLTAGE** 10-18VDC

**CURRENT** 1 Amp @ 13V

## ▲ PATTERNS

1 Attack

2 Cluster

3 Cluster Mix

4 Combo Single

5 Combo Triple

6 Half-Half Single

7 Half-Half Triple

8 One-One Single

9 One-One Triple

10 Two-Two Single

11 Two-Two Triple

12 All-On Single

13 All-On Triple

14 Raging Beacon

15 Figure 8 Chase

16 Night Ride Crossover

17 Hale Storm

18 Pulse

19 I/O Flux

20 Spectrum

21 Progressive Pursuit

## ▲ FUNCTIONS

1 Tail

2 Cruise

3 Flashing

4 Turn Signal

5 Brake Signal

6 Takedown

7 Work Light

8 Low Power

9 Cut Off

10 Pattern Change

## ▲ INPUTS

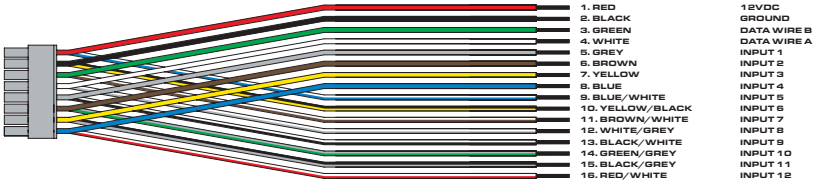
28 Hardwire Inputs

## ▲ BRIGHTNESS

10% 100%

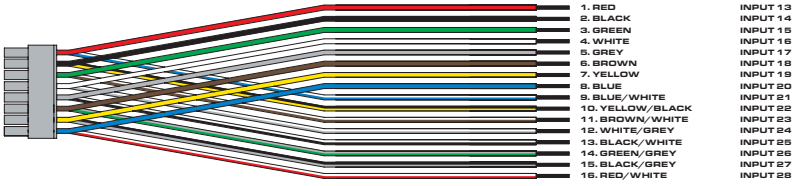
50% Park Pattern

## 16-PIN WIRE HARNESS: POS. 1-16

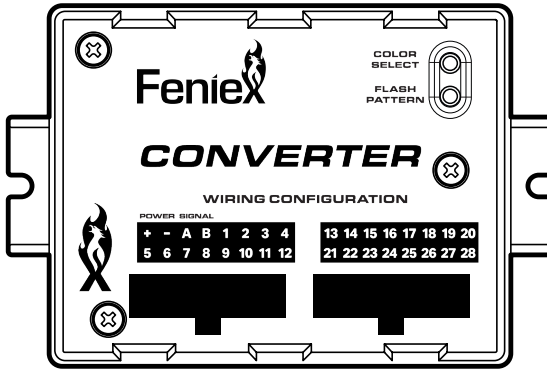


POS.	WIRE FUNCTION	COLOR	GAUGE
1	12VDC	Red	18G
2	Ground	Black	18G
3	USB Port B	Green	18G
4	USB Port A	White	18G
5	12V+, Input 1	Grey	18G
6	12V+, Input 2	Brown	18G
7	12V+, Input 3	Yellow	18G
8	12V+, Input 4	Blue	18G
9	12V+, Input 5	Blue/White	18G
10	12V+, Input 6	Yellow/Black	18G
11	12V+, Input 7	Brown/White	18G
12	12V+, Input 8	White/Grey	18G
13	12V+, Input 9	Black/White	18G
14	12V+, Input 10	Green/Grey	18G
15	12V+, Input 11	Black/Grey	18G
16	12V+, Input 12	Red/White	18G

## ▲ 16-PIN WIRE HARNESS: POS. 17-32



POS.	WIRE FUNCTION	COLOR	GAUGE
17	12V+, Input 13	Red	18G
18	12V+, Input 14	Black	18G
19	12V+, Input 15	Green	18G
20	12V+, Input 16	White	18G
21	12V+, Input 17	Grey	18G
22	12V+, Input 18	Brown	18G
23	12V+, Input 19	Yellow	18G
24	12V+, Input 20	Blue	18G
25	12V+, Input 21	Blue/White	18G
26	12V+, Input 22	Yellow/Black	18G
27	12V+, Input 23	Brown/White	18G
28	12V+, Input 24	White/Grey	18G
29	12V+, Input 25	Black/White	18G
30	12V+, Input 26	Green/Grey	18G
31	12V+, Input 27	Black/Grey	18G
32	12V+, Input 28	Red/White	18G



## ▲ CONFIGURATION INPUT RECORD

1	Input 1	15	Input 15
2	Input 2	16	Input 16
3	Input 3	17	Input 17
4	Input 4	18	Input 18
5	Input 5	19	Input 19
6	Input 6	20	Input 20
7	Input 7	21	Input 21
8	Input 8	22	Input 22
9	Input 9	23	Input 23
10	Input 10	24	Input 24
11	Input 11	25	Input 25
12	Input 12	26	Input 26
13	Input 13	27	Input 27
14	Input 14	28	Input 28



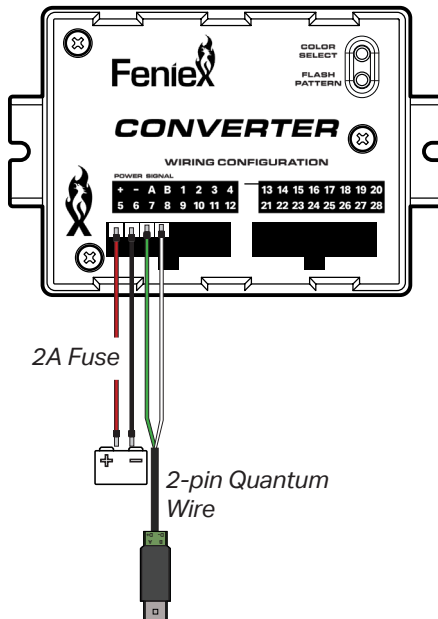
## PROGRAMMING QUANTUM<sup>®</sup>

Quantum programming unlocks more modes and functionality for your Quantum product. Quantum full-sized lightbars come with 13 programmable inputs and all other Quantum products (excluding mini lightbars), come with 10 programmable inputs. The Fenix Converter increases your modes to 28 inputs.

Follow the steps below to connect your product to the Fenix Converter.

### ■ Connecting Quantum<sup>®</sup> to the Fenix Converter

1. Connect your Quantum product to the Fenix Converter by using your data wires to the A and B inputs (White wire to A on USB, Green wire to B on the USB).
2. Power your Quantum product by connecting the red wire to a 12V+ terminal and the black wire to Ground.
3. Power your Fenix Converter to a 12V battery by connecting the red wire to a 12V+ terminal and the black wire to Ground.
4. Use the provided Fenix Converter wiring harnesses to connect the wires to inputs 1-28.





## PROGRAMMING QUANTUM® (CONT.)

### Improved Quantum Functions

Fenix Converter for all Quantum products is now programmable. There are up to 28 programmable inputs of your choice. They can have an infinite number of flash patterns, 28 different alley light configurations, 28 variable arrow functions, etc.

► *All programming will be done through the end-user app when configuring.*

### Understand the Fenix Converter

Each input shown in the illustration below is a direct correlation with the inputs on the Fenix Converter. The end-user is required to map out their specific configurations to a 12V+, triggering a controller like the 4200 Data Link, Mini 4200, Typhoon, Fenix One (analog 12V+ triggers).

*Example of User Interface:*

